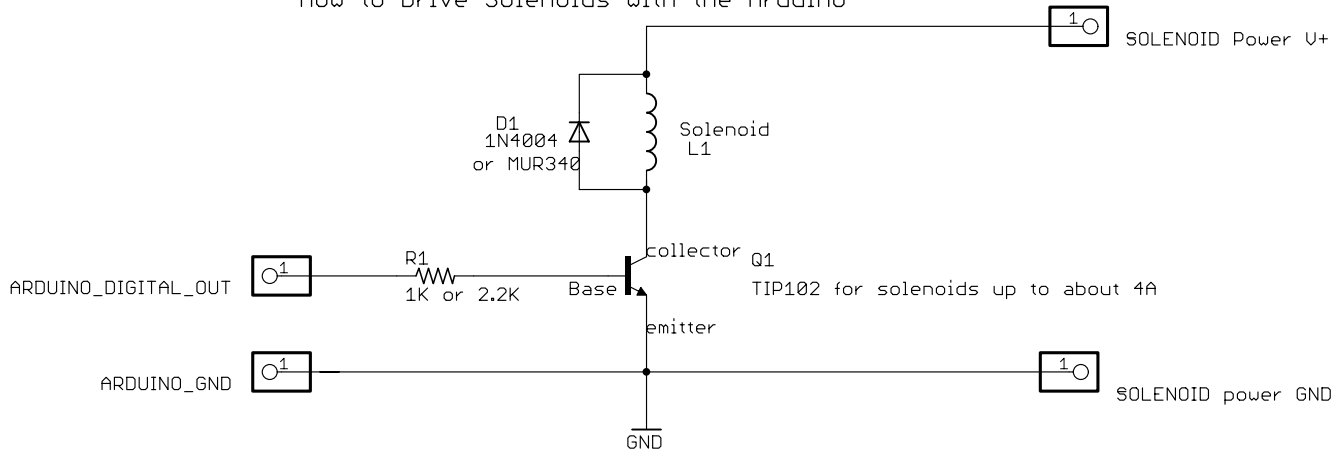


## How to Drive Solenoids with the Arduino



### Notes:

- you will most likely need a heat sink on the transistor.
- This diagram is for DC solenoids rated up to about 24W: i.e. 12V@2A, 6V@4A, 24V@1A etc.
- The protection diode should preferably be a schottky type, which has better response times. Something like a MUR340 is good for loads up to 3A.